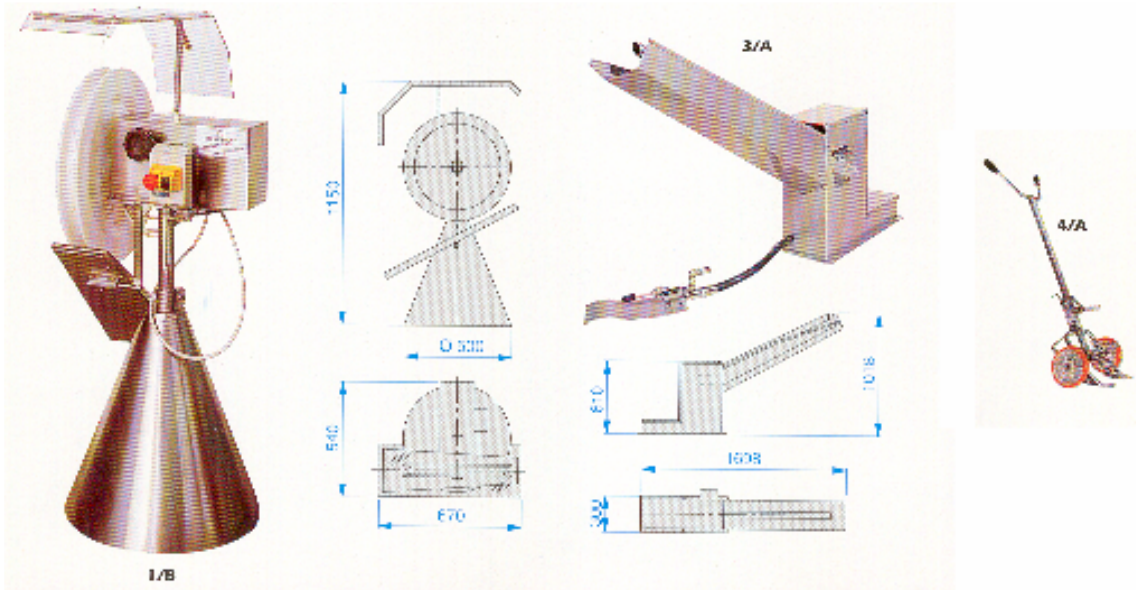




OLLARI&CONTI

mod. 1/B-3/A-4/A



CASING PULLING WHEEL MOD. 1/B

Suitable for pulling casings. Stainless steel framework. Drive gear made of food-grade plastic. Speed control. Transparent plastic guard. On/off switch.

Technical features:

Weight: 55 kg
Installed power V400 0.25kw

FLUSHING PIPE MOD. 3/A

Suitable to wash and turn hog middles inside out. Made from Stainless steel. Weight: 35 kg

DRUM – CARRYING TROLLEY MOD. 4/A

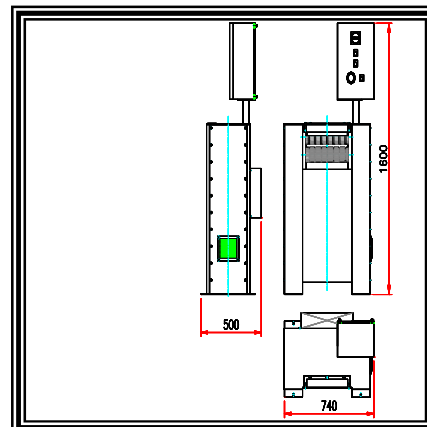
Stainless steel made. Suitable for moving 80 to 200 litre capacity drums.
Dimensions: 1700x620x400h (mm)

Nail remover machine mod. 400 CE

Completely stainless steel made; simple and stout; easily cleaned and operated.
Devices on machine make it safe for the operator.

Its is supplied with:

- Movable work pedal.
- Electric control board.
- Safety devices required by the regulations in force.



Via Sonnino 18/a • 43100 Parma (Italy)
Tel. +39 0521/992228 • Fax +39 0521/994249
<http://www.ollarieconti.it> • e-mail: info@ollarieconti.it