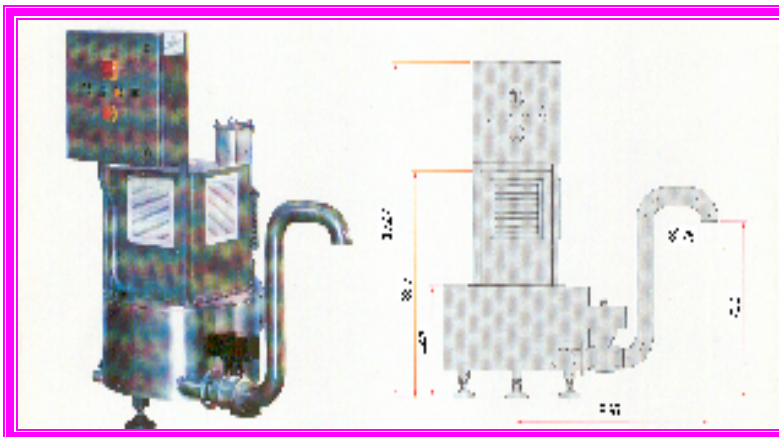




# OLLARI&CONTI

## TAGLIANERVO MOD.6/A



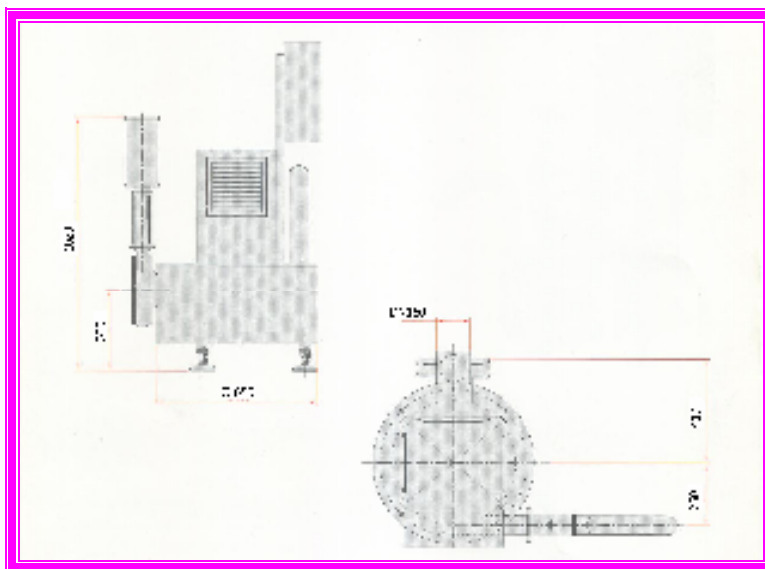
### Automatic chopping machine mod. 6/A



Made of AISI 304 stainless steel. It is applied to the finishing machine on the L.S.O. lines for processing pig and sheep runners. The machine automatically carries out the phases of feeding, chopping and expelling the nerve in a pulp, making the product suitable to be conveyed with normal pumps.

The machine is supplied complete with:

- low-voltage electrical control panel, to CEI standards, with motor protection



### Technical features



Installed power V 400		Air consumption/h (6 bar)	
6/A	Kw 7.5	6/A	500/h approx
Dimensions.		Weight.	
6/A	650x750x1030 H.mm	6/A	130Kg

Via Sonnino 18/a • 43100 Parma (Italy)  
 Tel. +39 0521/992228 • Fax +39 0521/994249  
<http://www.ollarieconti.it> • e-mail: [info@ollarieconti.it](mailto:info@ollarieconti.it)