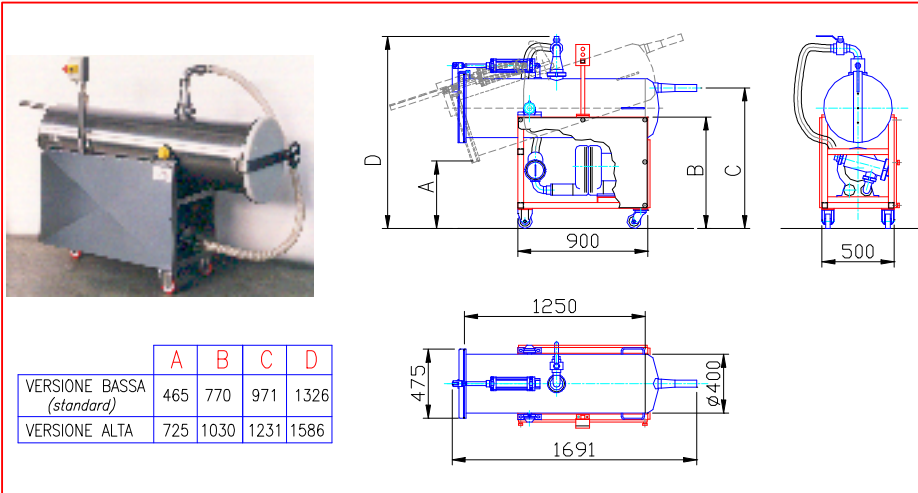




OLLARI&CONTI

MACCHINA ROVESCIA GENTILI MOD.8-A



BUNG INVERTER MOD.8-A



The bung (or beef ceacum) inverter is made from an AISI 304 stainless steel framework, on which a cylindrical tank is mounted on. Inside the tank, a suction pump creates a drop in pressure. When the bung (or beef ceacum) is inserted on the reversal duct, it gets sucked inside the tank, and, at the same time, it gets inverted. The tank reclines to allow for discharging the animal byproducts and is equipped with a manual or pneumatic door, depending on the needs of the purchaser. The machine is equipped with an electric panel with low tension 24 V push-buttons.

Capacity/h

up to 1800 bungs



Technical features

Installed power V 400

8-A

Kw 2.6

Necessary fluid: compressed air 6bar.



Subject to change without notice.

Via Sonnino 18/a • 43100 Parma (Italy)
 Tel. +39 0521/992228 • Fax +39 0521/994249
<http://www.ollarieconti.it> • e-mail: info@ollarieconti.it