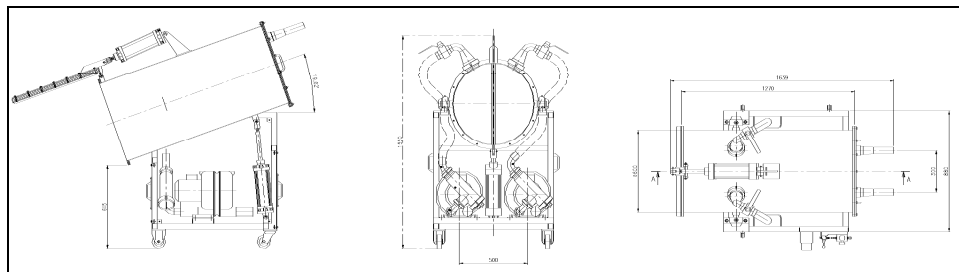
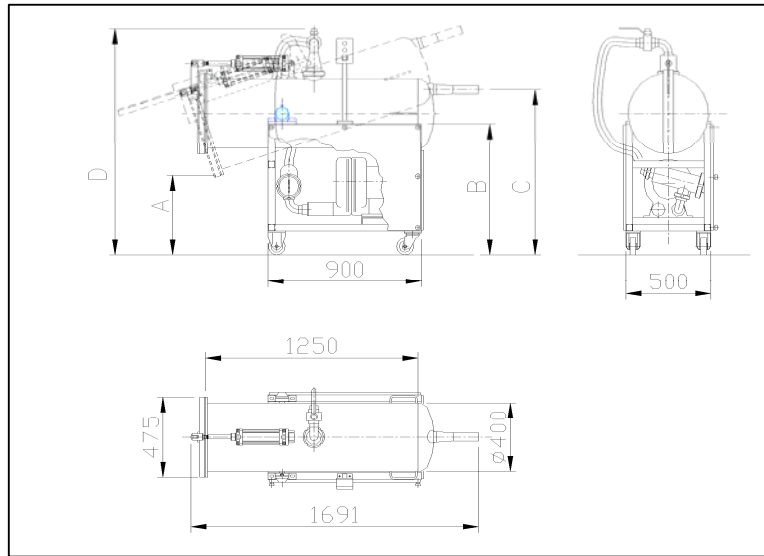




OLLARI&CONTI

HOG BUNG INVERTER MOD.8-A & 8-A2



HOG BUNG INVERTER MOD.8-A & 8-A2



The hog bung (rectum) inverter is made from an AISI 304 stainless steel framework, on which a cylindrical tank is mounted on. Inside the tank, a suction pump creates a drop in pressure. When the bung is inserted on the reversal duct, it gets sucked inside the tank, and, at the same time, it gets inverted. The tank reclines to allow for easy unloading and is equipped with a manual or pneumatic door. The machine is equipped with an electric panel with low tension 24 V push-buttons.

Produzione oraria Capacity/h Production horaire Stundenleistungsfähigkeit Producción por hora

up to 1800 bungs

Caratteristiche tecniche Technical features Caractéristiques techniques Technische Eigenschaften Características técnicas

Potenza installata V 400
Installed power V 400

Fluidi necessari: aria compressa 6bar.
Necessary fluid: compressed air 6bar.

8-A	Kw 2.6
8-A2	Kw 5.2

Soggetto a variazioni senza preavviso. Subject to change without notice.

Via Sonnino 18/a • 43100 Parma (Italy)
Tel. +39 0521/992228 • Fax +39 0521/994249
<http://www.ollarieconti.it> • e-mail: info@ollarieconti.it