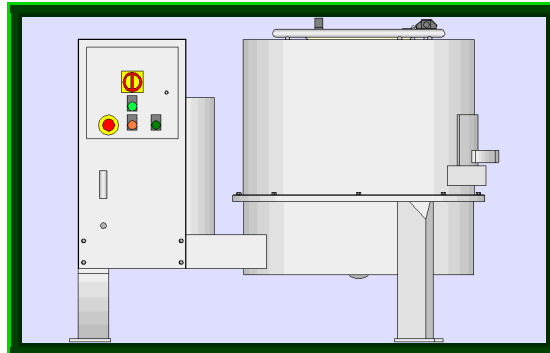




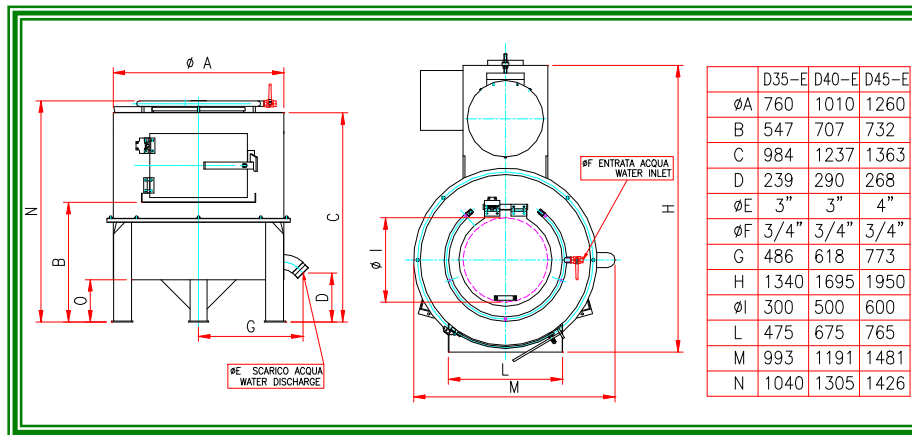
OLLARI&CONTI

MOD. D35-E / D40-E / D45-E



PEELING CENTRIFUGE mod. D35-E, D40-E, D45-E

These machines are suitable for peeling feet and heads of beef, pig and sheep as well as entire piglets. The centrifuges are made entirely of AISI304 stainless steel. They are supplied with an electric control panel with a stainless steel cabinet.



Capacity/h *											
Beef feet	Mutton feet		Pig feet		Beef heads		Mutton heads		Pig heads		Piglets
D35-E	80	D35-E	800-1000	D35-E	400-500	D35-E	-	D35-E	-	D35-E	-
D40-E	170	D40-E	2000-3200	D40-E	1000-1600	D40-E	40	D40-E	120	D40-E	60
D45-E	360	D45-E	5000-7300	D45-E	2500-3600	D45-E	80	D45-E	200	D45-E	120

Capacity per load											
Beef feet	Mutton feet		Pig feet		Beef heads		Mutton heads		Pig heads		Piglets
D35-E	15-20	D35-E	150-250	D35-E	80-130	D35-E	-	D35-E	-	D35-E	-
D40-E	30-50	D40-E	400-700	D40-E	200-350	D40-E	3-7	D40-E	20-30	D40-E	7-10
D45-E	80-110	D45-E	850-1500	D45-E	430-750	D45-E	7-16	D45-E	40-50	D45-E	16-24

Technical features			
Installed power V 400		Water consumption/h	
D35-E	Kw 4	D35-E	1.5m ³ -60°
D40-E	Kw 5.5	D40-E	2.5m ³ -60°
D45-E	Kw 11	D45-E	3m ³ -60°

*Depends on animal size.

Subject to change without notice.

Via Sonnino 18/a • 43100 Parma (Italy)
 Tel. +39 0521/992228 • Fax +39 0521/994249
<http://www.ollarieconti.it> • e-mail: info@ollarieconti.it