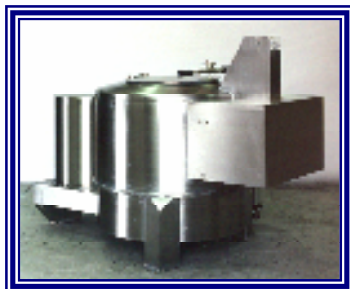




# OLLARI&CONTI

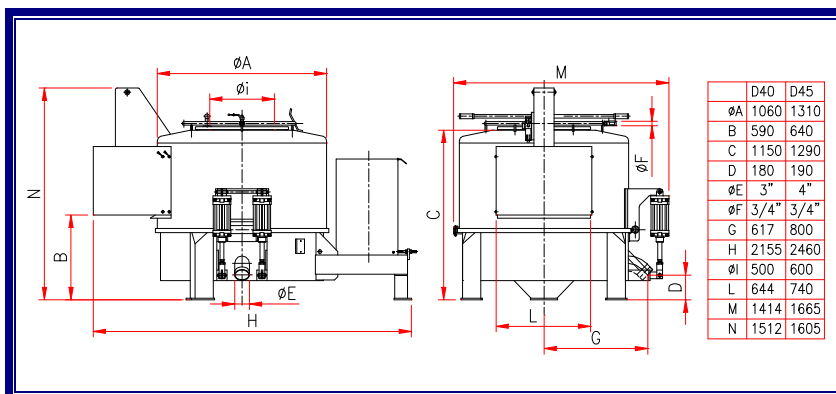
## MOD. D40 D45



### PEELING CENTRIFUGES mod. D40, D45



These machines are suitable for peeling feet and heads of beef, pig and sheep as well as entire piglets. The centrifuge is made entirely of AISI304 stainless steel and is equipped with a pneumatic opening system for internal cleaning. The machines include components such as insulated walls, an air-operated exit door and an electric control panel with a stainless steel cabinet.



### Capacity/h\*



Beef feet		Mutton feet		Pig feet		Beef heads		Mutton heads		Pig heads		Piglets	
D40	170/200	D40	2000-3200	D40	1000-1600	D40	40	D40	120	D40	60	D40	30-100
D45	360/450	D45	5000-7300	D45	2500-3600	D45	80	D45	200	D45	120	D45	70-150

### Capacity per load



Beef Feet		Mutton Feet		Pig feet		Beef heads		Mutton heads		Pig heads		Piglets	
D40	30-50	D40	400-700	D40	200-350	D40	3-7	D40	20-30	D40	7-10	D40	5-18
D45	80-110	D45	850-1500	D45	430-750	D45	7-16	D45	40-50	D45	16-24	D45	8-25

### Technical features



Installed power V 400		Water consumption/h		Air consumption/h	
D40	Kw 5.5	D40	2.5m <sup>3</sup> -60°	D40	lt80
D45	Kw 11	D45	3m <sup>3</sup> -60°	D45	lt100

\*Capacity depends on the size of the animal  
Subject to change without notice.

Via Sonnino 18/a • 43100 Parma (Italy)  
 Tel. +39 0521/992228 • Fax +39 0521/994249  
<http://www.ollarieconti.it> • e-mail: [info@ollarieconti.it](mailto:info@ollarieconti.it)