



OLLARI E CONTI

MOD. F.S.O.500M & F.S.O.800



F.S.O.500M

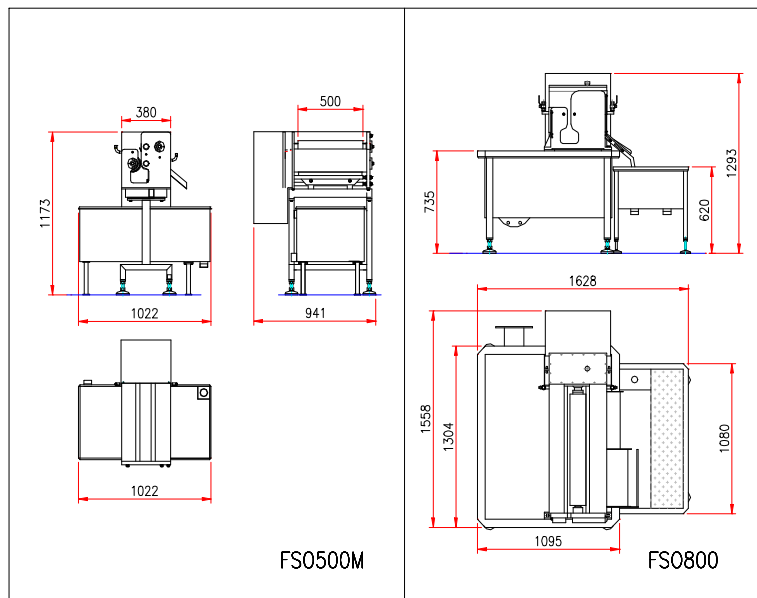


F.S.O.800

FINISHING MACHINE MOD. F.S.O.500M/F.S.O.800



This machine is suitable for finishing pig and sheep runners (small intestines) after the runners have gone through one or more stripping-crushing machines. It is made entirely of AISI 304 stainless steel. The rollers are equipped with a special adjustment system to process the runners perfectly. The machine is supplied completely with an electric control panel with a stainless steel cabinet, overloads and low tension 24 V control push-buttons, or with a start/stop control push-button strip.



Capacity/h*					
Intestines					
FSO500M		350 max.			
FSO800.		600 max			
Technical features					
Installed power V 400		Water consumption/h 45°		Cold water consumption/h	
FSO500M	Kw 1.85	FSO500M	0.4m ³ -45°	FSO500M	1,3 m ³
FSO800	Kw 1.5	FSO800	0.5m ³ -45	FSO800	2 m ³

*Depends on animal size.

Subject to change without notice.

Via Sonnino 18/a • 43100 Parma (Italy)
 Tel. +39 0521/992228 • Fax +39 0521/994249
<http://www.ollarieconti.it> • e-mail: info@ollarieconti.it