



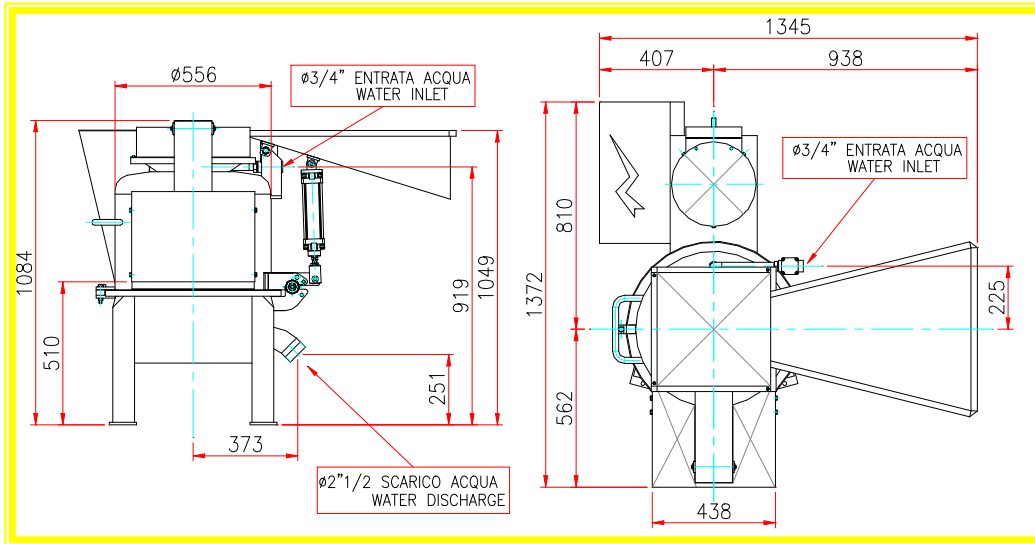
OLLARI&CONTI

CENTRIFUGA AUTOMATICA MOD. LC10



AUTOMATIC CENTRIFUGE FOR PIG HEARTS WASHING mod. LC10

Recommended to wash pig hearts. The centrifuge is made entirely of AISI 304 stainless steel and is equipped with a pneumatic opening system for internal cleaning. It is supplied with an electric control panel with a stainless steel cabinet. The process cycle includes charging, washing, drying and discharging the animal byproduct. After the introduction of the byproduct in the charging hopper, the process can be made semiautomatic (the machine stops after each cycle) or automatic (the cycle starts again after the closing of the discharging door and its length can be controlled by timers).



	Capacity/h *	Capacity per load	CE
Hearts	400-500	20-30	

Technical features		CE
Installed power V 400	1,85 kW	
Cold water consumption/h	0,4 m ³ – 3 bar	
Air consumption/h	60 l – 6 bar	

*Depends on animal size.

Subject to change without notice.

Via Sonnino 18/a • 43100 Parma (Italy)
 Tel. +39 0521/992228 • Fax +39 0521/994249
<http://www.ollarieconti.it> • e-mail: info@ollarieconti.it