

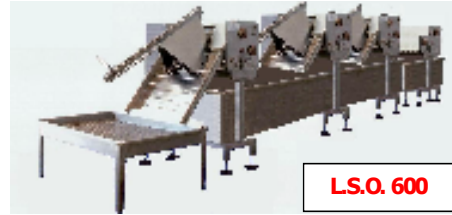


OLLARI E CONTI

MOD. L.S.O.600/3/4 & L.S.O.800-1000/3/4/5



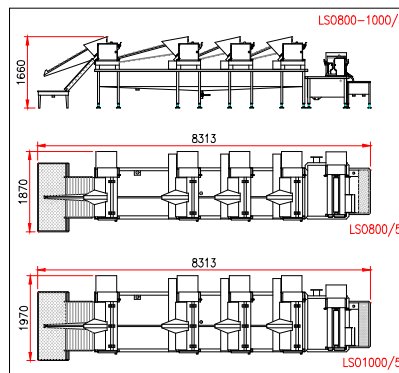
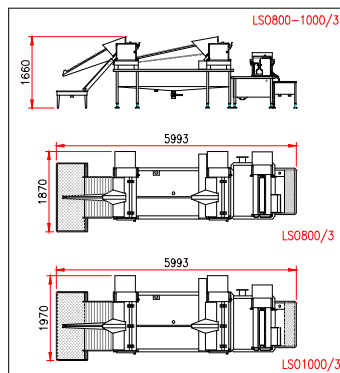
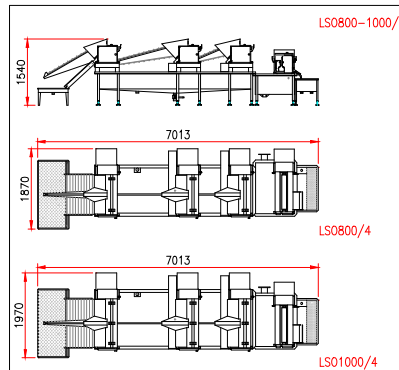
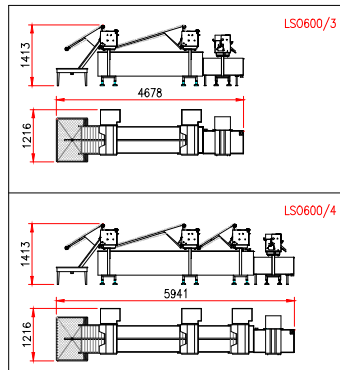
L.S.O. 800-1000



L.S.O. 600

AUTOMATIC LINE MOD. L.S.O.600/3/4 & L.S.O.800-1000/3/4/5

Suitable for cleaning hog and sheep intestines. Made of AISI 304 stainless steel. It is composed of working units, in which, during the working, also happens the diversified disposal waste according to their composition automatically. The first working unit empties the intestine that is to be placed on the automatic feed belt immediately after extracting the intestinal pack. It automatically passes on to the second unit for the following processing phase and will then stop at the outfeed. For the final phase the operator should pick up a few intestines and put them into the finishing machine from which they will come out processed. The machine is supplied complete with an electric control panel with a stainless steel cabinet, overload cutout and low tension 24 V control push-buttons.



Technical features



Installed power V 400		Water consumption/h 45°-50°		Cold Water consumption/h		Capacity/h	
LSO600/3	Kw 3.35	LSO600/3	1.6m ³	LSO600/3	1.3m ³	LSO600/3	200 max.
LSO600/4	Kw 4.1	LSO600/4	2.2m ³	LSO600/4	1.3m ³	LSO600/4	200 max.
LSO800/3	Kw 5.2	LSO800/3	2.1m ³	LSO800/3	2 m ³	LSO800/3	350 max
LSO800/4	Kw 7.05	LSO800/4	2.9m ³	LSO800/4	2 m ³	LSO800/4	350 max
LSO800/5	Kw 8.9	LSO800/5	3.7m ³	LSO800/5	2 m ³	LSO800/5	350 max
LSO1000/3	Kw 5.2	LSO1000/3	2.5m ³	LSO1000/3	2 m ³	LSO1000/3	500 max
LSO1000/4	Kw 7.05	LSO1000/4	3.5m ³	LSO1000/4	2 m ³	LSO1000/4	500 max
LSO1000/5	Kw 8.9	LSO1000/5	4.5m ³	LSO1000/5	2 m ³	LSO1000/5	500 max

Subject to change without notice.

Via Sonnino 18/a • 43100 Parma (Italy)
 Tel. +39 0521/992228 • Fax +39 0521/994249
<http://www.ollarieconti.it> • e-mail: info@ollarieconti.it