



OLLARI&CONTI

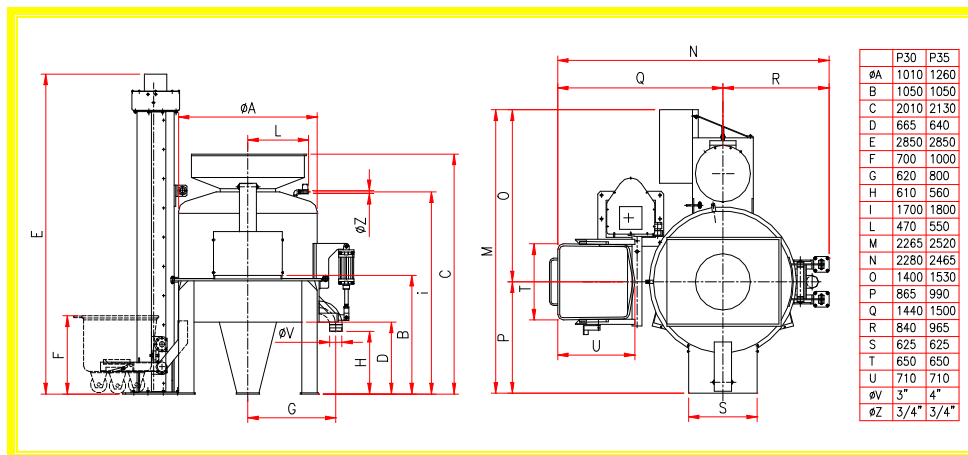
MOD. P30 P35



CLEANING CENTRIFUGES mod. P30,P35



These machines are suitable for washing and peeling (whitening) the internal part of the beef omasums as well as beef and sheep tripes. The centrifuges are made entirely of AISI304 stainless steel and are equipped with a pneumatic opening system for internal cleaning. It is supplied with an electric control panel with a stainless steel cabinet. The processing cycle is completely automatic. The animal byproducts are loaded in the top of the machine by a lifter.



Capacity/h*					
Beef tripe		Tripe and omasum		Calf and sheep tripe	
P30	80-130	P30	65+65	P30	1.400
P35	120-200	P35	100+100	P35	2.450

Capacity per load					
Beef tripe		1/2 Omasum		Calf and sheep tripe	
P30	10-20	P30	22-45	P30	140-200
P35	20-35	P35	32-62	P35	250-300

Technical features					
Installed power V 400		Water consumption/h		Air consumption/h	
P30	Kw 13	P30	2.5m ³ -62°	P30	lt80
P35	Kw 20.5	P35	3m ³ -62°	P35	lt100

*Capacity depends on size of animal.

Subject to change without notice.

Via Sonnino 18/a • 43100 Parma (Italy)
 Tel. +39 0521/992228 • Fax +39 0521/994249
<http://www.ollarieconti.it> • e-mail: info@ollarieconti.it