



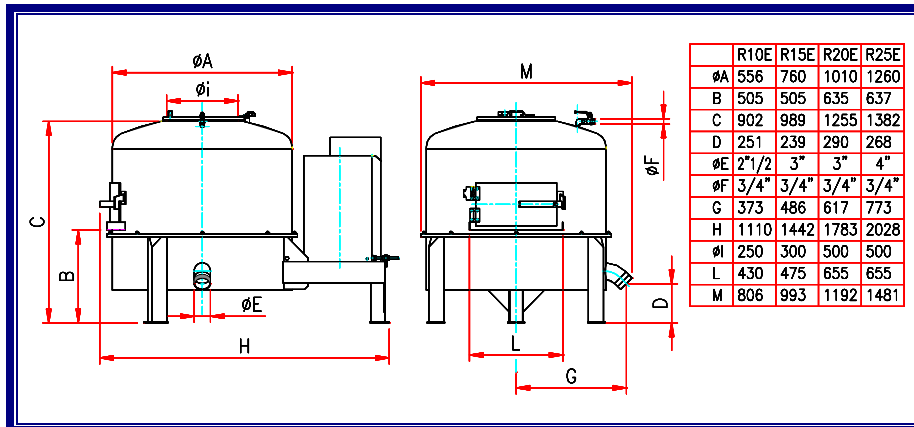
OLLARI&CONTI

MOD. R10-E R15-E R20-E R25-E



REFINING CENTRIFUGES mod. R10-E,R15-E,R20-E,R25-E

These machines are suitable for removing the fat – refining beef and sheep tripes and beef omasums, after having received a first treatment with the O.C. di Ollari & Conti cleaning centrifuge. If necessary, they are suitable to de-hair pig and beef ears. The centrifuges are made entirely of AISI304 stainless steel. They are supplied with an electric control panel with a stainless steel cabinet.



Capacity/h*

| Beef tripes | | Tripes and omasums | | Calf and sheep tripes | |
|-------------|-----|--------------------|---------|-----------------------|-------|
| R10-E | 20 | R10-E | 12+12 | R10-E | 260 |
| R15-E | 50 | R15-E | 27+27 | R15-E | 500 |
| R20-E | 150 | R20-E | 70+70 | R20-E | 1.500 |
| R25-E | 280 | R25-E | 140+140 | R25-E | 2.600 |

Capacity per load

| Beef tripes | | Tripes and omasums | | Calf and sheep tripes | |
|-------------|-------|--------------------|--------|-----------------------|---------|
| R10-E | 2-4 | R10-E | 33 Kg | R10-E | 20-52 |
| R15-E | 5-10 | R15-E | 47 Kg | R15-E | 50-90 |
| R20-E | 14-24 | R20-E | 150 Kg | R20-E | 130-180 |
| R25-E | 22-34 | R25-E | 250 Kg | R25-E | 230-340 |

Technical features

| Installed power V 400 | | Water consumption/h | |
|-----------------------|---------|---------------------|------------------------|
| R10-E | Kw 1.85 | R10-E | 0.5m ³ -75° |
| R15-E | Kw 4 | R15-E | 0.7m ³ -75° |
| R20-E | Kw 7.5 | R20-E | 1.3m ³ -75° |
| R25-E | Kw15 | R25-E | 2m ³ -75° |

*Capacity depends on animal size.

Subject to change without notice.

Via Sonnino 18/a • 43100 Parma (Italy)
 Tel. +39 0521/992228 • Fax +39 0521/994249
<http://www.ollarieconti.it> • e-mail: info@ollarieconti.it