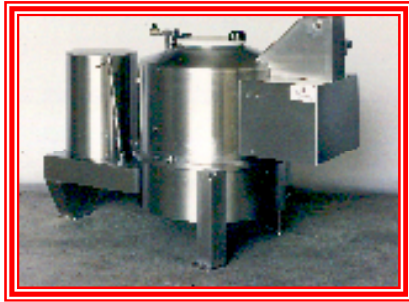




OLLARI&CONTI

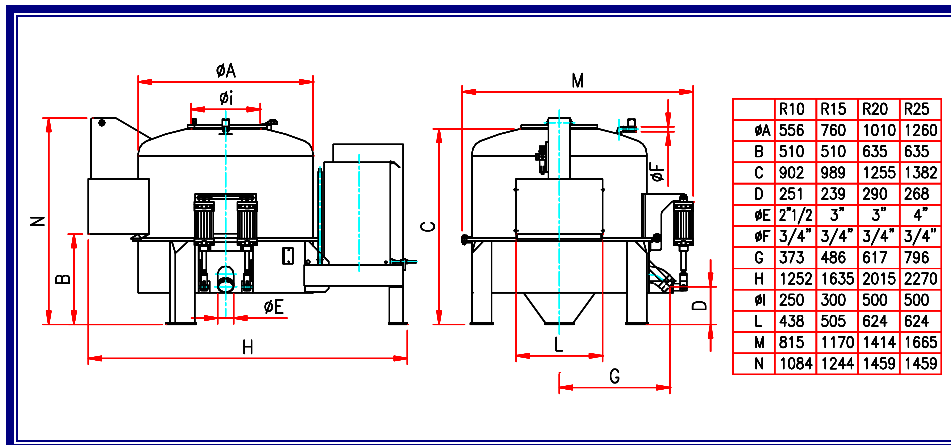
MOD. R10 R15 R20 R25



REFINING CENTRIFUGES mod. R10, R15, R20, R25



These machines are suitable for removing the fat – refining beef and sheep tripes and beef omasums, after having received a first treatment with the O.C. di Ollari & Conti cleaning centrifuge. If necessary, they are suitable to de-hair pig and beef ears. The centrifuges are made entirely of AISI304 stainless steel and are equipped with a pneumatic opening system for internal cleaning. They are supplied with an air-operated product outfeed door and an electric control panel with a stainless steel cabinet.



Capacity/h*					
Beef tripes		Tripes and omasums		Calf and sheep tripes	
R10	20	R10	12+12	R10	260
R15	50	R15	27+27	R15	500
R20	150	R20	70+70	R20	1.500
R25	280	R25	140+140	R25	2.600

Capacity per					
Beef tripes		Tripes and omasums		Calf and sheep tripes	
R10	2-4	R10	33 Kg	R10	20-52
R15	5-10	R15	47 Kg	R15	50-90
R20	14-24	R20	150 Kg	R20	130-180
R25	22-34	R25	250 Kg	R25	230-340

Technical features					
Installed power V 400		Water consumption/h		Air consumption/h	
R10	Kw 1.85	R10	0.5m ³ -75°	R10	lt60
R15	Kw 4	R15	0.7m ³ -75°	R15	lt60
R20	Kw 7.5	R20	1.3m ³ -75°	R20	lt80
R25	Kw 15	R25	2m ³ -75°	R25	lt100

*Capacity depends on animal size.

Subject to change without notice.

Via Sonnino 18/a • 43100 Parma (Italy)
 Tel. +39 0521/992228 • Fax +39 0521/994249
<http://www.ollarieconti.it> • e-mail: info@ollarieconti.it