



OLLARI&CONTI

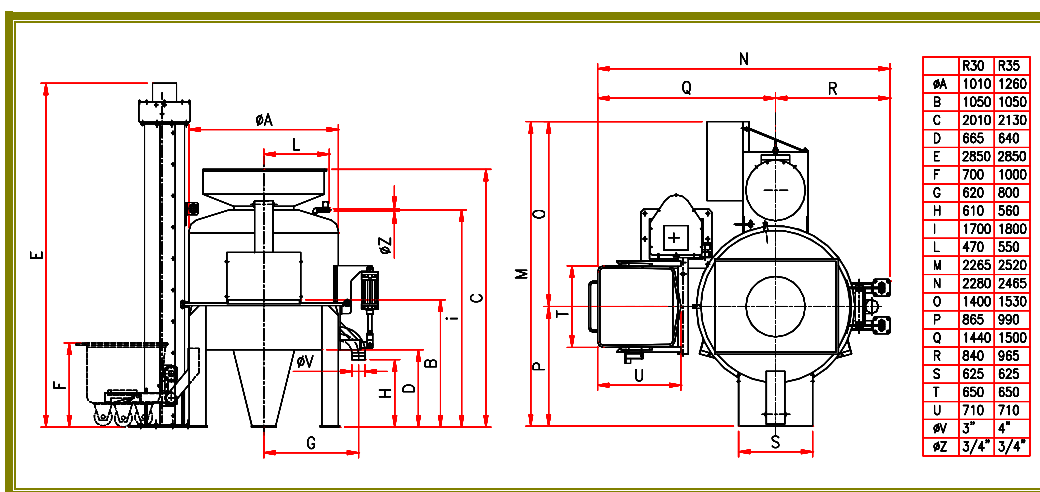
MOD. R30 R35



AUTOMATIC REFINING CENTRIFUGES mod. R30,R35



These machines are suitable for removing the fat – refining beef and sheep tripes and beef omasums, after having received a first treatment with the O.C. di Ollari & Conti cleaning centrifuge. If necessary, they are suitable to de-hair pig and beef ears. The centrifuges are made entirely of AISI304 stainless steel and are equipped with a pneumatic opening system for internal cleaning. It is supplied with an electric control panel with a stainless steel cabinet. The processing cycle is completely automatic. The animal byproducts are loaded in the top of the machine by a lifter.



Capacity/h*						
-------------	--	--	--	--	--	--

Beef tripes		Tripes and omasums		Calf and sheep tripes	
R30	170	R30	75+75	R30	1.700
R35	300	R35	150+150	R35	2.800

Capacity per load						
-------------------	--	--	--	--	--	--

Beef tripes		Tripes and omasums		Calf and sheep tripes	
R30	15-25	R30	150 Kg	R30	150-200
R35	25-35	R35	250 Kg	R35	250-350

Technical features						
--------------------	--	--	--	--	--	--

Installed power V 400		Water consumption/h		Air consumption/h	
R30	Kw 9.5	R30	1.3m ³ -75°	R30	lt80
R35	Kw 17	R35	2m ³ -75°	R35	lt100

Subject to change without notice.

*Capacity depends on animal size.

Via Sonnino 18/a • 43100 Parma (Italy)
 Tel. +39 0521/992228 • Fax +39 0521/994249
<http://www.ollarieconti.it> • e-mail: info@ollarieconti.it