



OLLARI & CONTI

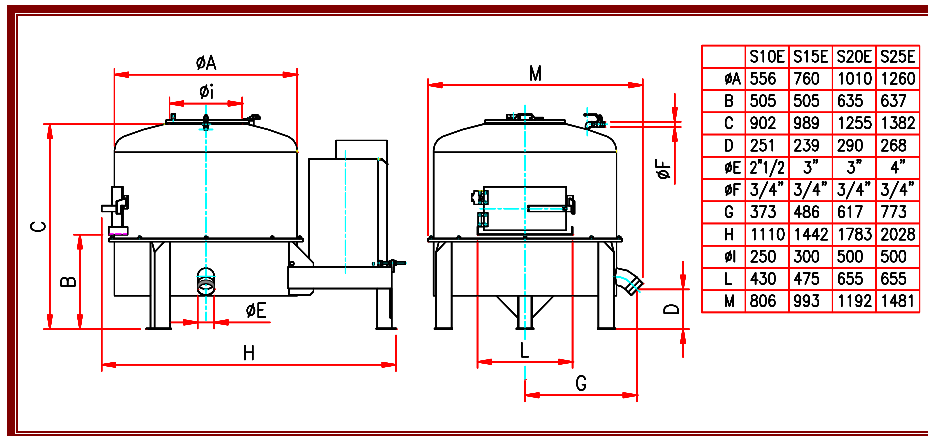
MOD. S10-E S15-E S20-E S25-E



DEGREASING CENTRIFUGES mod. S10-E,S15-E,S20-E,S25-E



Recommended to wash, degrease and de-slime pig stomachs and beef and pig large intestines. The centrifuges are made entirely of AISI304 stainless steel. They are supplied with an electric control panel with a stainless steel cabinet.



Capacity/h*



Stomachs	
S10-E	120-250
S15-E	250-600
S20-E	900-1400
S25-E	1400-2400

Capacity per load



Stomachs		Intestines	
S10-E	20-40	S10-E	15 kg
S15-E	40-80	S15-E	40 kg
S20-E	130-230	S20-E	90 kg
S25-E	250-330	S25-E	160 kg

Technical features



Installed power V 400		Hot water consumption/h		Cold water consumption/h	
S10-E	Kw 1.85	S10-E	0.4m ³	S10-E	0.4m ³
S15-E	Kw 4	S15-E	0.7m ³	S15-E	0.7m ³
S20-E	Kw 7.5	S20-E	2 m ³	S20-E	1.4m ³
S25-E	Kw11	S25-E	3 m ³	S25-E	2m ³

*Depends on animal size.

Subject to change without notice.

Via Sonnino 18/a • 43100 Parma (Italy)
 Tel. +39 0521/992228 • Fax +39 0521/994249
<http://www.ollarieconti.it> • e-mail: info@ollarieconti.it