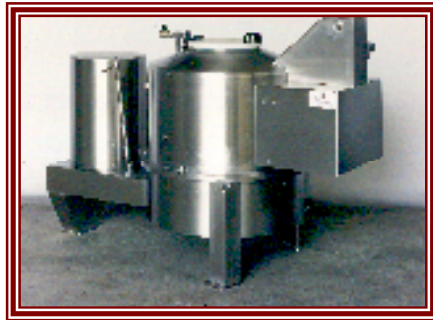




# OLLARI&CONTI

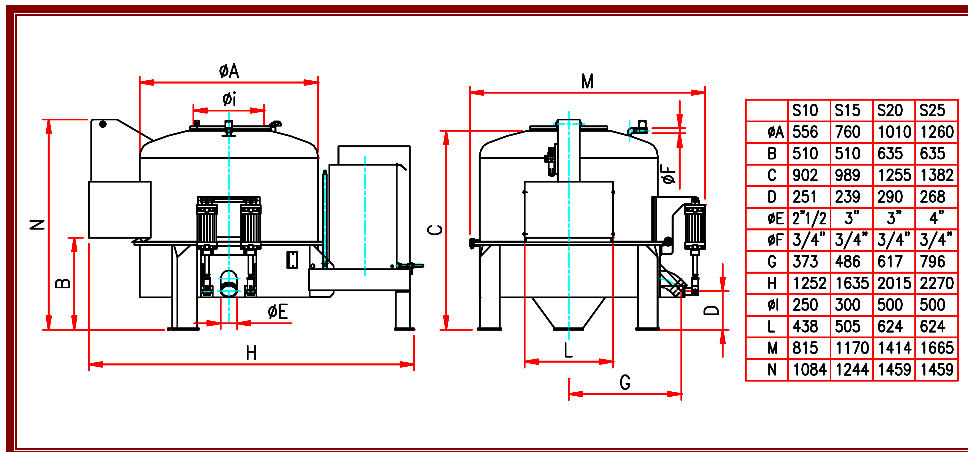
## MOD. S10 S15 S20 S25



### DEGREASING CENTRIFUGES mod. S10,S15,S20,S25



Recommended to wash, degrease and de-slime pig stomachs and beef and pig large intestines. The centrifuges are made entirely of AISI304 stainless steel and are equipped with a pneumatic opening system for internal cleaning. They are supplied with an air-operated product outfeed door and an electric control panel with a stainless steel cabinet.



### Capacity/h \*



Stomachs	
S10	120-250
S15	250-600
S20	900-1400
S25	1400-2400

### Capacity per load



Stomachs		Intestines	
S10	20-40	S10	15 kg
S15	40-80	S15	40 kg
S20	130-230	S20	90 kg
S25	250-330	S25	160 kg

### Technical features



Installed power V 400		Hot water consumption/h		Cold water consumption/h		Air consumption/h	
S10	Kw 1.85	S10	0.4m <sup>3</sup>	S10	0.4m <sup>3</sup>	S10	lt60
S15	Kw 4	S15	0.7m <sup>3</sup>	S15	0.7m <sup>3</sup>	S15	lt60
S20	Kw 7.5	S20	2 m <sup>3</sup>	S20	1.4m <sup>3</sup>	S20	lt80
S25	Kw11	S25	3 m <sup>3</sup>	S25	2m <sup>3</sup>	S25	lt100

\*Depends on animal size.

Subject to change without notice.

Via Sonnino 18/a • 43100 Parma (Italy)  
 Tel. +39 0521/992228 • Fax +39 0521/994249  
<http://www.ollarieconti.it> • e-mail: [info@ollarieconti.it](mailto:info@ollarieconti.it)