



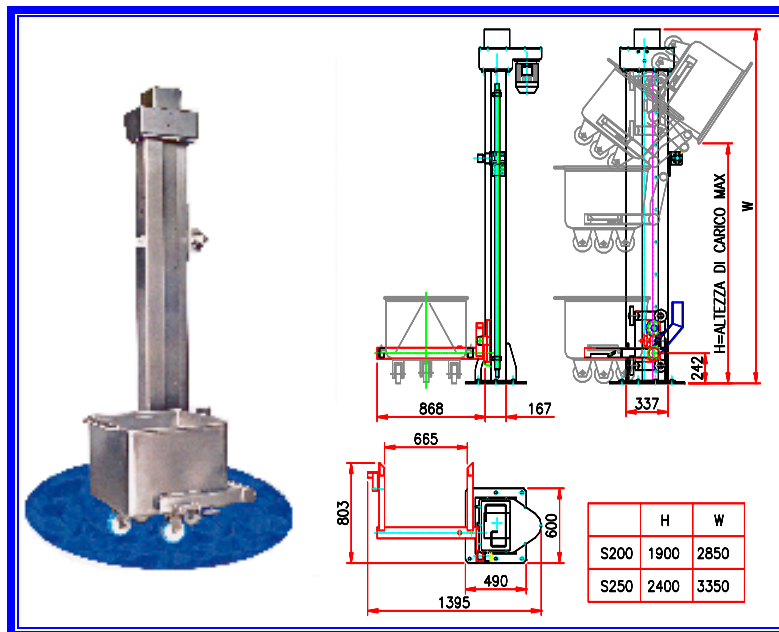
OLLARI&CONTI

SOLLEVATORE-RIBALTATORE MOD. S200-S250

TILT LIFTER FOR STANDARD 200/300 Kg WAGONS mod. S200-S250

Construction specifications:

- Column made of 6 mm thick AISI 304 stainless steel plate and shaped to hold the carriage housing.
- Carriage housing is made of special cast iron with chemically nickel-plated rust-proof coating; complete with 5 wheels that guarantee perfect long term slide-efficiency.
- The upper head is made of anticorrosive aluminium with chemically nickel-plated rust-proof coating.
- Self-lubricating lifting screw made of special steel.
- Mechanical fall-prevention system.
- Wagon fork made of 8 mm thick AISI 304 stainless steel tube and shaped 4 mm thick AISI 304 stainless steel plate.
- Base plate for fastening to the floor.



Technical features	CE	
Installed power V 400	1,85 Kw	
Weight	S200	250 kg
	S250	300 kg
Maximum loading height H	S200	1900 mm
	S250	2400mm

Subject to change without notice.

Via Sonnino 18/a • 43100 Parma (Italy)
 Tel. +39 0521/992228 • Fax +39 0521/994249
<http://www.ollarieconti.it> • e-mail: info@ollarieconti.it