



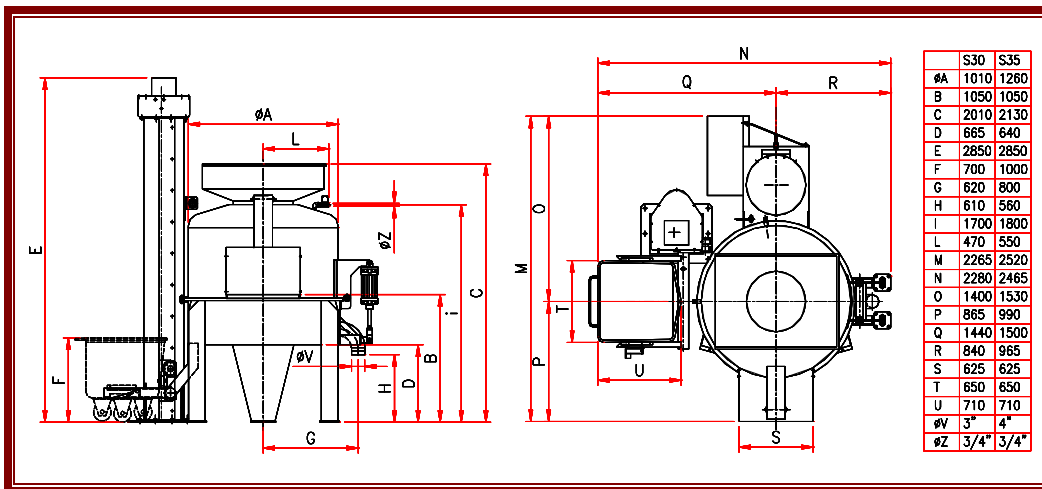
# OLLARI&CONTI

## MOD. S30 S35



### DEGREASING CENTRIFUGES mod.S30,S35

Recommended to wash, degrease and de-slime pig stomachs and beef and pig large intestines. The centrifuges are made entirely of AISI304 stainless steel and are equipped with a pneumatic opening system for internal cleaning. It is supplied with an electric control panel with a stainless steel cabinet. The processing cycle is completely automatic. The animal byproducts are loaded in the top of the machine by a lifter.



### Capacity/h\*

Stomachs	I
S30	1000-1500
S35	1500-2500

### Capacity per load

Stomachs		Intestines	
S30	150-230	S30	90 kg
S35	250-330	S35	160 kg

### Technical features

Installed power V 400		Hot water consumption/h		Cold water consumption/h		Air consumption/h	
S30	Kw 9.5	S30	2 m <sup>3</sup>	S30	1.4m <sup>3</sup>	S30	lt80
S35	Kw13	S35	3 m <sup>3</sup>	S35	2m <sup>3</sup>	S35	lt100

\*Capacity depends on animal size.

Subject to change without notice.

Via Sonnino 18/a • 43100 Parma (Italy)  
 Tel. +39 0521/992228 • Fax +39 0521/994249  
<http://www.ollarieconti.it> • e-mail: [info@ollarieconti.it](mailto:info@ollarieconti.it)