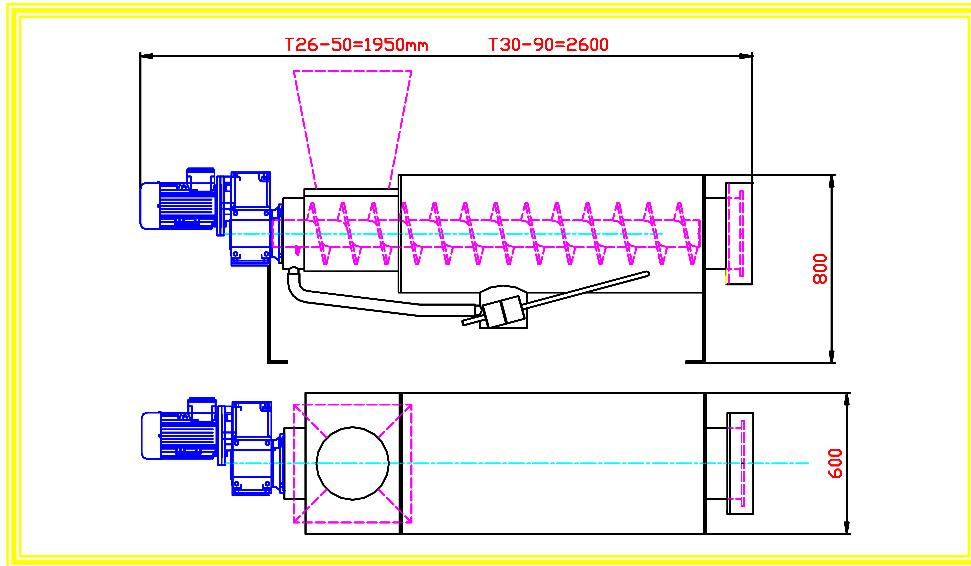




OLLARI&CONTI

COMPACTING MACHINE MOD. T26-50/T30-90



COMPACTING MACHINE MOD. T26-50/MOD. T30-90



The compacting machine is specially designed to separate the solid-liquid components of sewage from beef, sheep and pig breeding (including sewage from animal stalls), as well as sewage from gallinaceous. It is easy to install and has minimal maintenance. The machine does not need any labour and it guarantees an optimal drying of the separated solid residual.

Technical features T26-50



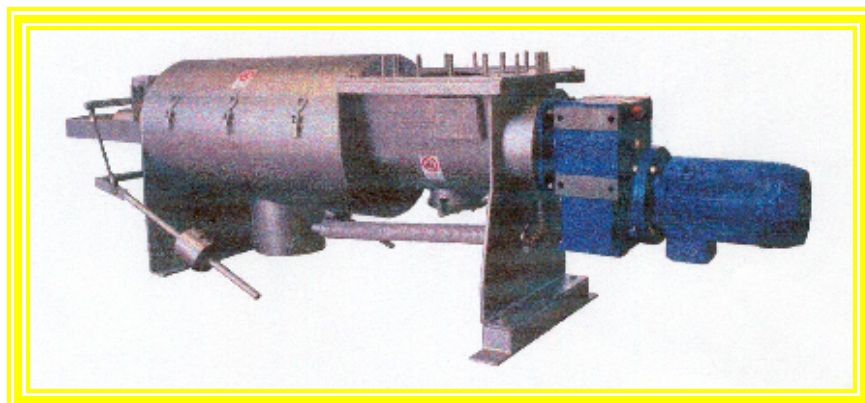
Installed power V 400	4 KW
Maximum capacity	10-20m ³ /h

Technical features T30-90



Installed power V 400	7,5 KW
Maximum capacity	20-50m ³ /h

Subject to change without notice.



OLLARI E CONTI s.r.l.

Via Sonnino 18/a • 43100 Parma (Italy)

Tel. +39 0521/992228 • Fax +39 0521/994249

<http://www.ollarieconti.it> • e-mail: info@ollarieconti.it