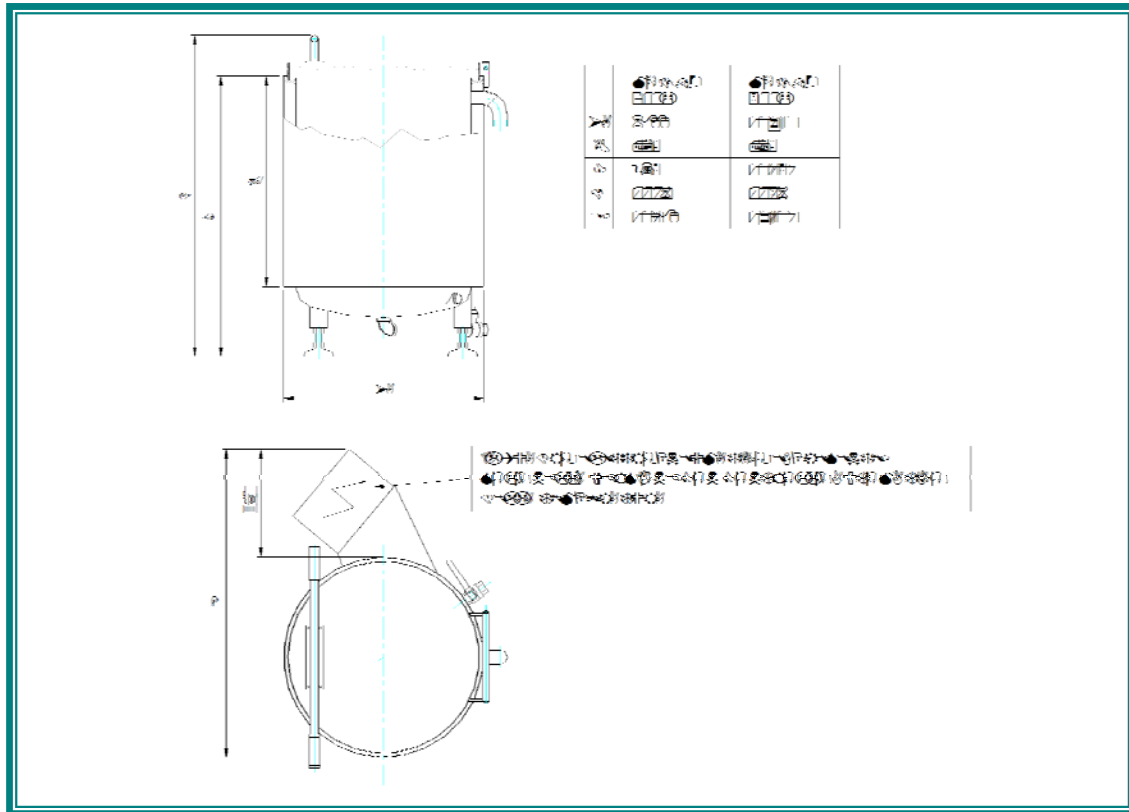




OLLARI&CONTI

COOKING VESSELS MOD.200L/500L



Suitable for cooking, blanching or defrosting by water bath. Made of AISI304 stainless steel insulated on the basin and on the lid, complete with steam system for cooking. The cooking water is heated by direct food grade steam. On request, they can be fitted with an electro pneumatic system to control the water temperature automatically.

Capacity per load		CE
mod.200L	56 Kg	
mod.500L	140 Kg	

Technical Characteristics				CE	
Electrical V220 (only for electrical panels with electro pneumatics)		Air Consumption per load		Water Capacity	
mod.200 L	0,1Kw	mod.200 L	144 litri	mod.200 L	200 litri
mod.500 L	0,1Kw	mod.500 L	360 litri	mod.500 L	500 litri

Soggetto a variazioni senza preavviso.