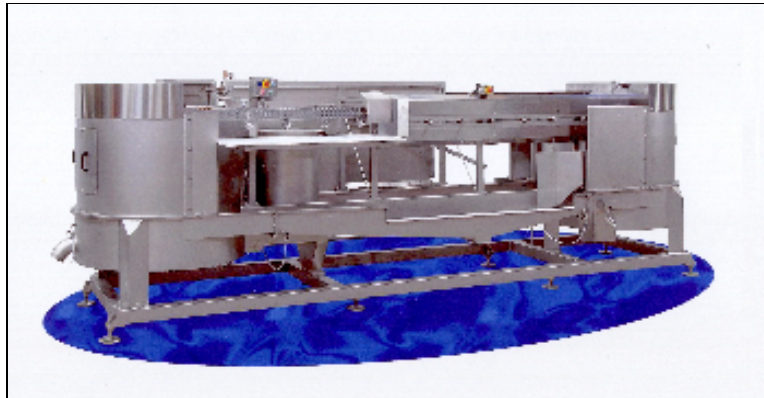




OLLARI&CONTI

HOG BUNG FLUSHING MACHINE MOD.VGA-1200



AUTOMATIC HOG BUNG FLUSHING MACHINE; Mod. VGA-1200

The Hog Bung Flushing Machine is specially designed to automatically flush the manure and cut off the crown. It is an ideal machine to reduce labour and water consumption.

The machine is made entirely of AISI 304 stainless steel and it is supplied with:

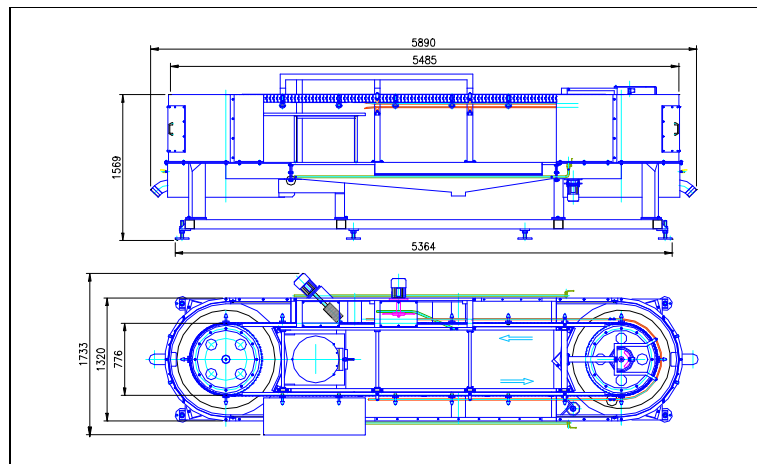


- ◆ Suitable catenary to support the bungs. The speed of the catenary is adjustable by inverter.
- ◆ Water distributing system to the bungs emptying.
- ◆ Automatic cutting of the worked bungs.
- ◆ Automatic Removing System for the reject.
- ◆ Hot water self-washing system.

Technical features VGA1200



Installed power 480v,60Hz	1.63 KW
Capacity max	Kill Rate of 1250/h
Cold Water Consumption	0.5m ³ /h Cold Water
Hot Water consumption	1.0m ³ /h 35°C



OLLARI E CONTI INTERNATIONAL s.r.l.
 Via Sonnino 18/a • 43100 Parma (Italy)
 Tel. +39 0521/992228 • Fax +39 0521/994249
<http://www.ollarieconti.it> • e-mail: info@ollarieconti.it